



# ACTIM SOLUTIONS

**INDUSTRIAL EQUIPMENT & CHEMICALS**



**SUPPLY & SERVICES**

**ACTIM SOLUTIONS (PVT) LTD.**

Address: Office No. 28, Twin City Plaza, I-8 Markaz, Islamabad-Pakistan

Phone : +92-51-2722256

info@actimsolutions.com

www.actimsolutions.com



## About us

We “Actim Solutions Private Limited” supplying industrial equipment, chemicals & spare parts to Cement, Power, Fertilizer and Textile Industry. Oil & Gas Sector is also in our scope. We source products from the market leading manufacturers and ensure the product quality, providing strong technical and legislative back up with a team of professionals joining hands with “Actim Solutions”. We are committed to deliver quality products.

We have a team of experts including chemical, mechanical & electrical engineers to identify the best solutions and able to offer a wide range of products and chemicals through an established international network. You can benefit from our experience of decades in this activity and from our network of specialized contacts that will be able to fulfill your requirements.

## Goal & Objective

Our goal is to help you by saving your time and resources, searching for you the rare compounds, equipment and the custom services you need.

The **objective** of our organization is to cater the demand of our customers up to every possible extent with reliable quality and service at its best.

## Mission Why we exist

Provide growth and prosperity for our customers, employees and company.

## Vision our ideal future

Offer innovative industrial solutions.

## Values Guiding our decision and conduct

Pursue the values of Integrity, Honesty, Hard Work, and Loyalty.

---

### ACTIM SOLUTIONS (PVT) LTD.

Address: Office No. 28, Twin City Plaza, I-8 Markaz, Islamabad-Pakistan

Phone : +92-51-2722256    info@actimsolutions.com    www.actimsolutions.com



## OUR CORE TEAM MEMBERS

- **Mr. Khalid Azizi – Technical Consultant  
(Electrical & Control Expert)**

He is a Director of Government Organization. He has Industrial Control system design expertise covers all industries and is in charge of E&I and control engineering Division of Actim Solutions & serving Pakistan Industry since 1985. He has done layout design for Neelum–Jhelum Hydropower and Thar-Coal Power project recently.

- **Head of Projects - Engr. Malik Abid Abbas  
(Electrical Engineer)**

Mr. Abid has very vast experience of working with different industries during his professional career. Mr. Abid provide consultation and solutions to top of the line companies in Cement & Fertilizer sector of Pakistan.

- **Head of Operations – Ch. Shahid Iqbal  
(Master in Business)**

He has 12 years of experience to work with different organizations and well versed with administration & operation also has experience of project planning, execution and completion of Government projects.

- **Manager Mechanical - Engr. Nouman Shafeeq  
(Mechanical Engineer)**

He served in the cement industry for 5 years. He is young and very energetic person, who is well versed with Cement Process & Planning also has experienced of the complete cement plant installation.

- **Manager Business Development - Engr. Muhammad Ishfaq  
(Chemical Engineer)**

He has 4 years of experience with different process industry.

- **Head of Accounts - Hamid Daud  
(Masters of Business Administration, Commerce & Economics)**

He has thirteen years of experience with different sectors like IT, Telecom, pharmaceutical and financial institutes. He is a hardworking individual and has served well-known overseas multinational companies as well.

- **Manager IT – Mr. Muhammad Adnan  
(BSCS)**

---

### **ACTIM SOLUTIONS (PVT) LTD.**

Address: Office No. 28, Twin City Plaza, I-8 Markaz, Islamabad-Pakistan

Email : [info@actimsolutions.com](mailto:info@actimsolutions.com) [www.actimsolutions.com](http://www.actimsolutions.com)

Phone: +92-51-2722256, Fax: +92-51-2719256



## OUR CLIENTS

Cement Industry  
Fertilizer Sector  
Textile Industry

Oil & Gas Sector  
Power Plants  
Oil Refineries

## OUR PRODUCTS

- Equipment, Instrumentations, machinery & parts for **Cement, Fertilizer & Textile Industry**.
- Industrial Valves, Pumps, Blowers, Air Slide Fabric, Expansion Joint and Expansion Joint Cloths, Filter Bags etc.
- Industrial Conveying System & Parts.
- Industrial Mechanical Transmission System & Parts.
- Industrial Pneumatic and Hydraulic Equipment & Parts.
- Industrial Instrumentation & Control System.
- Industrial Testing Devices/ Equipment.
- Industrial Electrical Equipment.
- Industrial Spraying Nozzles. (high quality & competitive price)
  
- Mechanical; Casting & Forging Parts.
- Heat resistant steel castings for high temperature applications.
- Wear, impact resistant and heavy steel casting.
  
- Equipment & Spare Parts for Heat Recovery, Thermal and Coal **Power plants**.
- Turbine, Boiler, Heat Exchangers & their parts.
  
- Complete Oilfield/ Production equipment & Chemicals for **Oil & Gas Industry**.
- Drilling Fluid Chemicals & Additives - Gas Processing Chemicals.
- All types of Construction Machinery (available on rent also)

*We are specialized in Expansion Joints, Filter Bags, Valves, Rotary Feeder and Spraying Nozzles. Also we are competitive in brands mentioned below from Germany & China.*



### ACTIM SOLUTIONS (PVT) LTD.

Address: Office No. 28, Twin City Plaza, I-8 Markaz, Islamabad-Pakistan  
Phone : +92-51-2722256 info@actimsolutions.com www.actimsolutions.com





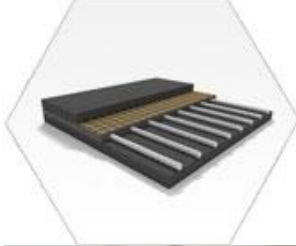
# CONVEYING SYSTEM

We are supplying all type of Conveyor belts, Idlers, Rollers & other related products for belt conveyor system from Turkey, China and Europe.

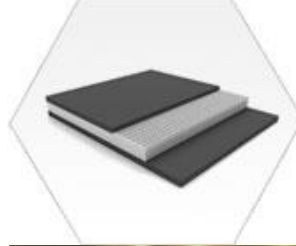
Fabric Conveyor Belt



Steel Cord Conveyor Belt



Solid Woven Conveyor Belt



Patterned Conveyor Belt



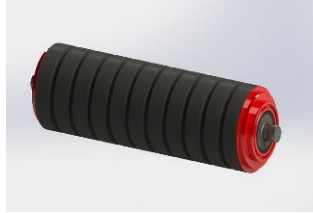
Sidewall Conveyor Belts



Drive Pulley



Magnetic Pulley



Impact Roller



Idler Roller



Bend Pulley



Spiral Idler



Conveyor Bracket



Vulcanizing Machines



Magnetic Separators



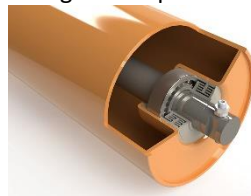
Pulley Lagging



Conveyor drum



Conveyor Rollers



Weigh Rollers



Guide Rollers



Conveyor Pulleys



Belt Misalignment Switch



Vibrator



Limit Switch



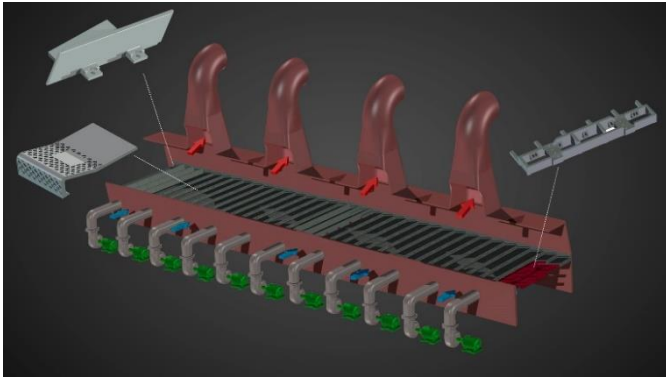
Tilt Switches



# CASTING & FORGING

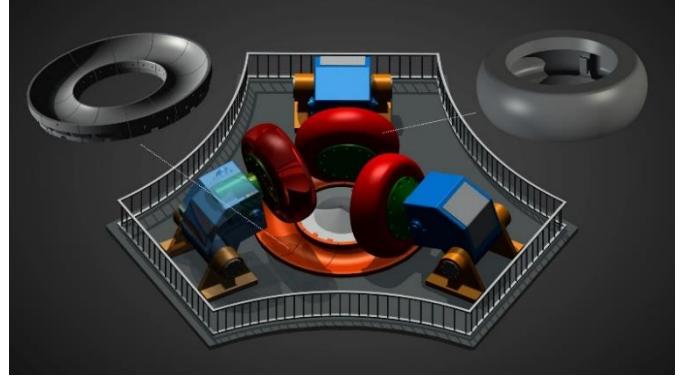
## Clinker Cooler

Cooling Side Plate, Cooling Grill, Cooling Grill Seat



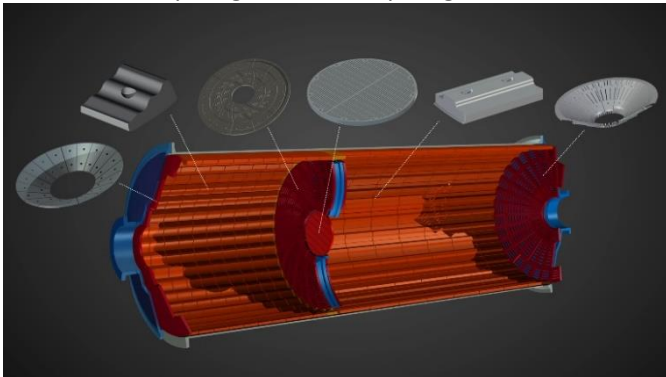
## Vertical Mill

Vertical Mill Roller, Mill Roller Segment, Mill Segment



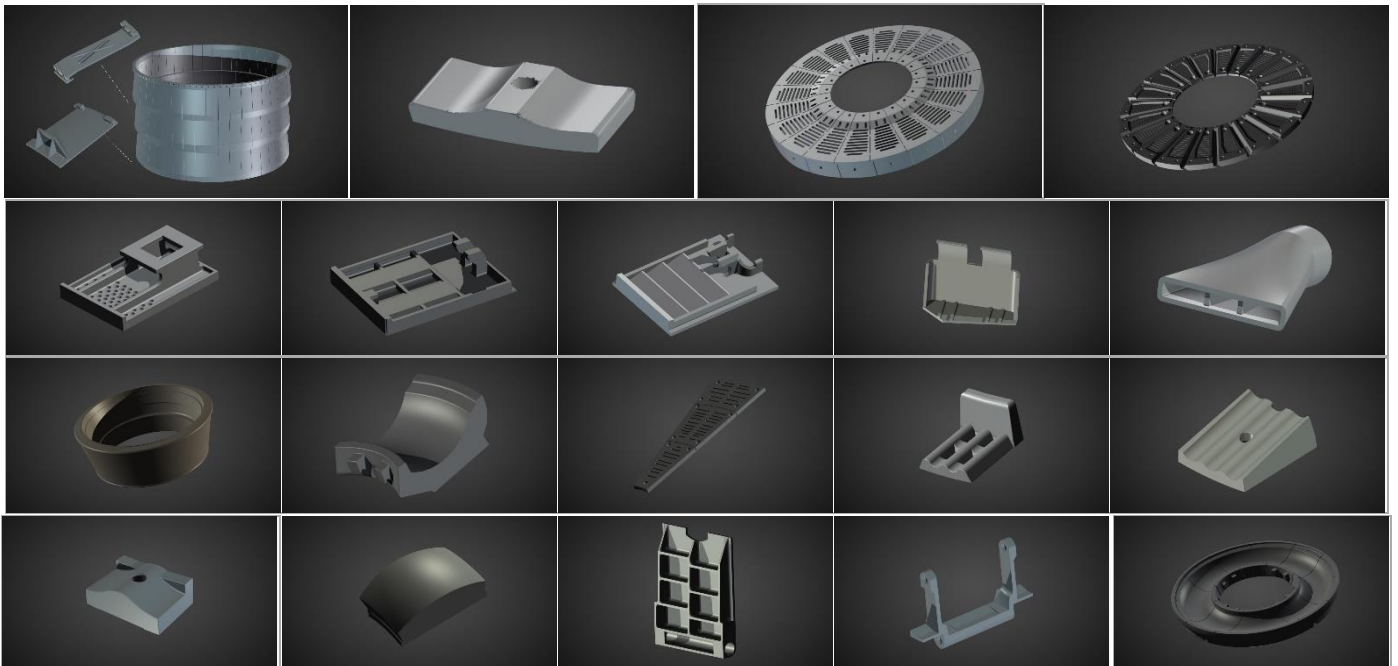
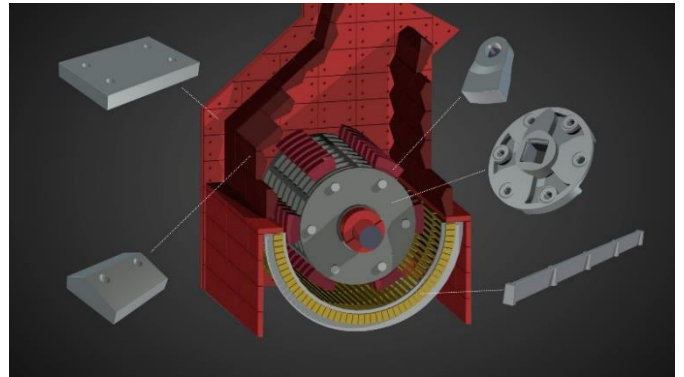
## Ball Mill

Mill Inlet Plate, Mill Outlet Plate, Lining Plate, Mill diaphragm Plate, Diaphragm Grill



## Crusher

Lining Plate, Grill, Rotor Disc, Hammer



**Wear and impact resistant steel castings;** Shell liner plates for clinker mills, Mill diaphragm plates, crusher discs and hammers, jaw crushers, teathed and conical crusher shells, grinding rolls etc.  
**Heat resistant steel castings for high temperature applications;** Cooler plates and plate frames, rotary kiln outlet segments, cyclone pipes, flaps etc.







## All Types of Filter Elements, Filter Bags and Air Slide Fabric



## INDUSTRIAL FANS NAD IMPILLERS

Material Handling Fan | Axial Flow Fan | Radial Flow Fan



## All Types of Pneumatic and Hydraulic Equipment and Parts



## CARBON TECHNOLOGY GERMANY

Schunk has grades and brush holders for all applications i.e. Crusher, Conveyor belts, Fan drives, Kiln drive, Mill drives.

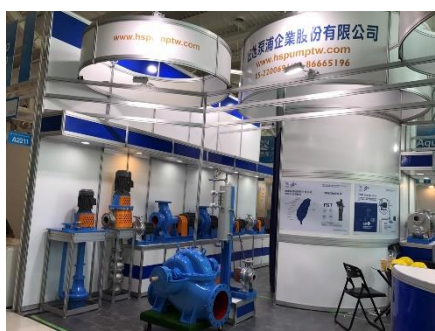
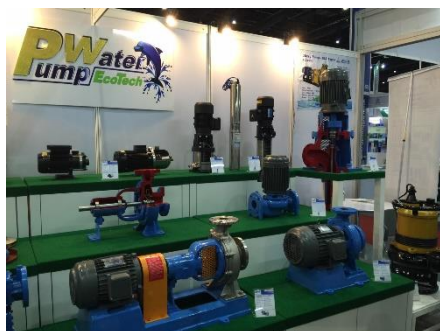




## INDUSTRIAL PUMP

Our principal is professional manufacturer of centrifugal pump, they are focus on researching and producing high-performance industrial pump which widely applied to petrification, electric power, steelworks, hydraulic handling, control flood, electronic engineering, spinning, and paper industry etc. And their products are widely applied to all over the world such as Japan, Vietnam, Thailand, Malaysia, Indonesia, Pakistan, Brazil, Mexico etc. Not only provide customer OEM products, but also provide customized as customers' requests.

- FSB (HCV) Horizontal end suction centrifugal coaxial pump
- FSBL (HCV) Horizontal centrifugal volute pump
- FST (VCP) Vertical centrifugal pump
- FSP (VWP) Vertical Slush pump (wetpit)
- FNP (HEP) Horizontal self-priming pump



**We are also capable to supply positive displacement pump, plunger and Gear pump**

### ACTIM SOLUTIONS (PVT) LTD.

Address: Office No. 28, Twin City Plaza, I-8 Markaz, Islamabad-Pakistan

Phone : +92-51-2722256

info@actimsolutions.com

www.actimsolutions.com



## INDUSTRIAL BLOWERS

Our principal is one of the 500 largest machinery enterprises in China. It was founded in 1950, produced Roots blowers since 1958. It was the company that imported exclusively the advanced Roots blower (vacuum pump) technology from Japan by the permission of China MOFTEC in 1986. It was ISO9001 certified in 1997, ISO14001 certified and GB/T280001 certified in 2008.



ROOTS BLOWER & SPECIAL ROOTS BLOWER



ROOTS VACUUM PUMP



VENTILATOR & CENTRIFUGAL BLOW

Our principal is engaged in production and sales of HC blower, BK and YU Roots blowers, anti-corrosion and anti-explosion stainless steel Roots blowers, gear speed-up centrifugal blower, multi-stage centrifugal blowers, Korea-made ATB centrifugal air compressor, and in the sales of other supporting products for water treatment in environmental protection, such as water pump (YU, WQ submersible pump, YYOW split case pump), mixer, dewatering machine, etc.



Products have been widely used in various industries, including water treatment, construction material and cement manufacture, chemical industry, electricity, petroleum, steel, metallurgy, mine, food convey lines, etc., enjoying a good reputation among customers both in the overseas and domestic market.

Until now, we successfully supplied blowers to Vietnam, Indonesia, Turkey, Pakistan, India, Thailand, Brazil, Uzbekistan, Philippines etc.



### ACTIM SOLUTIONS (PVT) LTD.

Address: Office No. 28, Twin City Plaza, I-8 Markaz, Islamabad-Pakistan

Phone : +92-51-2722256

info@actimsolutions.com

www.actimsolutions.com





## Gear Boxes, Gear Motors, Electrical Motors, Frequency Drives, Couplings & Parts.



## Industrial Electrical Equipment

Electrical Cables, Transformers, Electrical Switch Gears, Electrical Breakers, Contactors and Carbon Brushes etc.



## Industrial Instruments & Testing Equipment

Industrial Drives, Controls & Instruments for Level, Flow, pressure, Temperature and Vibration etc. i.e. PLCs, Transmitter, gages, Sensors, Calibrators, Load Bank, Liquid level indicator, temperature sensors, pressure sensors etc.



## Industrial Spraying Nozzles

General Purpose Nozzles | atomiser Nozzles | steel Work Nozzles | Paper Mill Nozzles | Fire Fighting Nozzles

Our supplier has been formed R & D, production and sales of high-tech company network integration. Offering more than 3900 kind of **nozzles** and monthly output up to 50 thousands pieces. Has **Japanese automatic CNC lathes** (precision  $\leq 2\mu$ ) and measurement systems for the nozzles flow, angle, impact, force, water distribution, particle sizes etc. as per international standards. So that we can provide excellent quality products to valuable customer.



Fire Fighting Nozzles



Paper Mill Nozzles



Roll Cooling Nozzles



Cold Rolling / Pickling Nozzles



Continuous Casting Nozzles



Coke Oven Nozzles



Ultrasonic Atomiser Nozzles



Automatic Atomiser Nozzles



Hollow Cone Nozzles



Full Cone Nozzles

## Turbochargers

Caterpillar Series, Yanma Series, Komatsu Series, Volvo Deutz Series, Scania Man Series, Kobelco Series, Hino Series, Perkins Series, Commins Series, Kato Daewoo Series, Mercedes-Benz Truck Series



Honeywell



Garrett  
ADVANCING MOTION



Professional Manufacturer  
of Turbocharger For  
Construction Machinery

[READ MORE](#)





## BRANDS WE CAN SUPPLY



*The End*

**ACTIM SOLUTIONS (PVT) LTD.**

Address: Office No. 28, Twin City Plaza, I-8 Markaz, Islamabad-Pakistan

Phone : +92-51-2722256

info@actimsolutions.com

www.actimsolutions.com

